

TRACO POWER

2022~2023 | Power Supplies for Household Appliances,
Building Automation and IoT



Company Profile

TRACO Electronic AG is a Swiss company with headquarters based in Baar, Switzerland. As a leading power supply specialist with more than 40 years experience we are dedicated to the design and manufacturing of high-quality DC/DC and AC/DC power conversion products. TRACO markets its products worldwide under the registered trademark TRACO POWER.

Our mission is to provide our customers with optimal power supply solutions in terms of performance, quality and cost for their individual application.

AC/DC Power Supplies for Household, Smart Buildings & Office Applications

AC/DC power supplies for household, smart buildings and office applications comply with stringent regulatory requirements including the internationally recognized **EN 60335-1** standard for electrical appliances for households. As an integral part of today's and tomorrow's building infrastructure, our AC/DC power supplies are designed for lowest standby power consumption, lowest low-load power losses and highest peak power conversion efficiency, resulting in lowest total cost of ownership.

Traco Power has over two decades of experience in developing optimized AC/DC power supplies for household, smart buildings and office applications. Our product range includes AC/DC power supplies from 3–240 watt.

Key Features

- Ultra-low standby/low-load power consumption compliant with ErP directive
- Universal or extended input voltage range
- Power conversion efficiency up to 94%
- Compact designs with highest power density
- Protection class II prepared
- Outlet box and flush box mountable solutions for smart home and IoT applications available
- DIN-Rail mountable solutions for building automation requirements (depth 55 mm max) available

Typical Standards for Household & Building Automation

- Electrical appliances for households EN 60335-1
- IT equipment IEC/EN/UL 62368-1 and for Din Rail UL 60950-1
- ErP compliant with ultra-low standby/no load power consumption
- UL 508 or UL 1310 class II/NEC class 2 compliance
- EN 55032 conducted & radiated emissions level B

Customized Solutions

Do you have trouble finding a standard AC/DC power supply that meets your specific application requirements without unnecessary and expensive additional features? With over 30 years of experience in designing standard and custom AC/DC power supplies and DC/DC converters, our design teams at TRACO POWER SOLUTIONS are dedicated to developing the product you truly need at the price you truly want.

Visit <https://www.tracopower.com/development-customization-center> for more information.

3–240 Watt AC/DC Power Supplies

Key Features

- Universal / extended input voltage range
- Ultra-low standby power consumption
- Power-conversion efficiency up to 94%
- IEC /EN/UL 62368-1 Protection class II prepared

Available Form Factors

- Open-frame
- Fully encapsulated PCB mountable
- DIN-rail mountable
- Mountable in wall outlet boxes

Standards and Directives

- EN 60335-1 for Home Appliance
- UL 508 or UL1310 / NEC class II for General Automation
- ErP directive



TMPS10



TMPW25-J



TCL-DC



TSR1



TBLC25



TIW

AC/DC Power Supplies (PCB, Outlet box, Chassis Mounting)

Series	Watts	W x L	Mounting	Housing	Input	I/O Isolation	Page
TMPS 03	3	1.00" x 1.00"	PCB	Encapsulated	85–264 VAC	3000 VAC	4
TMPS 05	5	1.00" x 1.00"	PCB	Encapsulated	85–264 VAC	3000 VAC	5
TMPW 5	5	1.46" x 1.08"	PCB	Encapsulated	90–305 VAC	4000 VAC	5
TMPW 5-J	5	2.17" x 1.08"	Chassis	Encapsulated	90–305 VAC	4000 VAC	6
TIW 6/12	6/12	2.20" x 2.20"	Outlet box	Encapsulated	90–264 VAC	4000 VAC	6
TMB 07	7	1.52" x 1.00"	PCB	Encapsulated	85–264 VAC	3000 VAC	<i>IN DEVELOPMENT</i>
TMB 07-J	7	2.40" x 1.20"	Chassis	Encapsulated	85–264 VAC	3000 VAC	<i>IN DEVELOPMENT</i>
TMPS 10	10	1.50" x 1.00"	PCB	Encapsulated	85–264 VAC	3000 VAC	8
TMPW 10	10	1.46" x 1.08"	PCB	Encapsulated	90–305 VAC	4000 VAC	8
TMPW 10-J	10	2.17" x 1.08"	Chassis	Encapsulated	90–305 VAC	4000 VAC	9
TMB 15	15	2.06" x 1.07"	PCB	Encapsulated	85–264 VAC	3000 VAC	<i>IN DEVELOPMENT</i>
TMB 15-J	15	2.90 x 1.18"	Chassis	Encapsulated	85–264 VAC	3000 VAC	<i>IN DEVELOPMENT</i>
TMPS 15	15	2.00" x 1.00"	PCB	Encapsulated	85–264 VAC	3000 VAC	<i>NEW</i>
TPP 15-J	15	2.82" x 1.14"	Chassis	Encapsulated	85–264 VAC	4000 VAC	11
TPP 15-D	15	1.65" x 1.14"	PCB	Encapsulated	85–264 VAC	4000 VAC	11
TPP 15A-D	15	1.50" x 1.00"	PCB	Open frame	85–264 VAC	4000 VAC	12
TPP 15A-J	15	2.60" x 1.00"	Chassis	Open frame	85–264 VAC	4000 VAC	12
TIW 24	24	2.20" x 2.20"	Outlet box	Encapsulated	90–264 VAC	4000 VAC	13
TMW 24	24	2.09" x 2.00"	Outlet box	Encapsulated	85–264 VAC	4000 VAC	<i>NEW</i>
TMW 24P	24	2.09" x 2.00"	Outlet box	Encapsulated	85–264 VAC	4000 VAC	<i>NEW</i>
TMPW 25	25	2.07" x 1.08"	PCB	Encapsulated	90–305 VAC	4000 VAC	14
TMPW 25-J	25	3.48" x 1.08"	Chassis	Encapsulated	90–305 VAC	4000 VAC	15
TMB 30	30	2.52" x 1.77"	PCB	Encapsulated	85–264 VAC	3000 VAC	<i>IN DEVELOPMENT</i>
TMB 30-J	30	3.40 x 1.85"	Chassis	Encapsulated	85–264 VAC	3000 VAC	<i>IN DEVELOPMENT</i>
TPP 30A-D	30	2.74" x 1.10"	PCB	Open frame	85–264 VAC	4000 VAC	16
TPP 30A-J	30	3.34" x 1.36"	Chassis	Open frame	85–264 VAC	4000 VAC	17
TPP 30-D	30	2.89" x 1.50"	PCB	Encapsulated	85–264 VAC	4000 VAC	17
TPP 30-J	30	3.95" x 1.50"	Chassis	Encapsulated	85–264 VAC	4000 VAC	18
TMW 36	36	2.09" x 2.00"	Outlet box	Encapsulated	85–264 VAC	4000 VAC	<i>NEW</i>
TMW 36P	36	2.09" x 2.00"	Outlet box	Encapsulated	85–264 VAC	4000 VAC	<i>NEW</i>
TMPW 50	50	2.92" x 1.85"	PCB	Encapsulated	90–305 VAC	4000 VAC	19
TMPW 50-J	50	3.81" x 1.85"	Chassis	Encapsulated	90–305 VAC	4000 VAC	20
TMB 60	60	3.00 x 2.13"	PCB	Encapsulated	85–264 VAC	3000 VAC	<i>IN DEVELOPMENT</i>
TMB 60-J	60	3.86" x 2.20"	Chassis	Encapsulated	85–264 VAC	3000 VAC	<i>IN DEVELOPMENT</i>

Household & Building Automation AC/DC Power Supplies (DIN-Rail Mounting)

Series	Watts	Housing	Feature	Page
TBLC	6–90	Low profile (55 mm depth)	UL 1310, UL 508, EN 60335-1	22
TBL	15–150	Low profile (55 mm depth)	UL 1310, UL 508, EN 60335-1	23
TPC	30–120	Slim (reduced width)	ErP ready, UL 508	23
TCL	24–240	Slim (reduced width)	UL 508	24
TSPC-240-124UPS	240	Regular (114 mm depth)	Uninterruptable Power Supply (UPS)	24

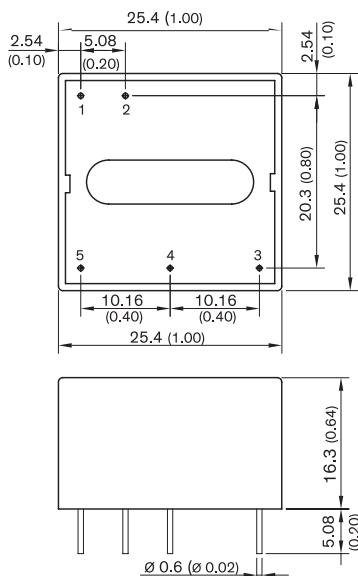
Accessory

Series	Watts	Housing	Function	Page
TSP-BCMU360	0–360	Regular (113mm Depth)	Battery Control Module to provide UPS operation	25

TMPS 05

5 Watt

EN 60335-1 Approved



Model	Output Voltage nom.	Output Current max.	Output Current peak	Efficiency typ.
TMPS 05-103	3.3 VDC	1'515 mA	1'970 mA	74 %
TMPS 05-105	5 VDC	1'000 mA	1'300 mA	80 %
TMPS 05-109	9 VDC	555 mA	721 mA	82 %
TMPS 05-112	12 VDC	416 mA	540 mA	82 %
TMPS 05-115	15 VDC	333 mA	433 mA	83 %
TMPS 05-124	24 VDC	208 mA	270 mA	83 %
TMPS 05-148	48 VDC	104 mA	135 mA	85 %

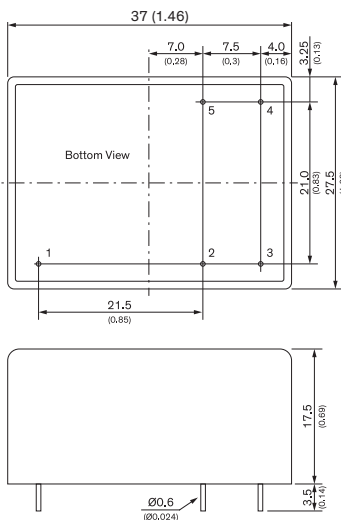
- PCB mount 1.0 x 1.0 x 0.64" package
- EN60335-1 for household appliance
- ErP compliant(<300 mW no load)
- 25°C to +70°C temperature range
- EN 55032 class B and EN 55014-1
- Protection class II prepared
- 3-year product warranty

Pin Connections	
Pin	Function
1	AC (N)
2	AC (L)
3	NC*
4	-Vout
5	+Vout

TMPW 5

5 Watt

EN 60335-1 Approved



Model	Output Voltage nom.	Output Current max.	Efficiency typ.
TMPW 5-103	3.3 VDC	1515 mA	73 %
TMPW 5-105	5 VDC	1000 mA	77 %
TMPW 5-112	12 VDC	420 mA	81 %
TMPW 5-124	24 VDC	210 mA	83 %

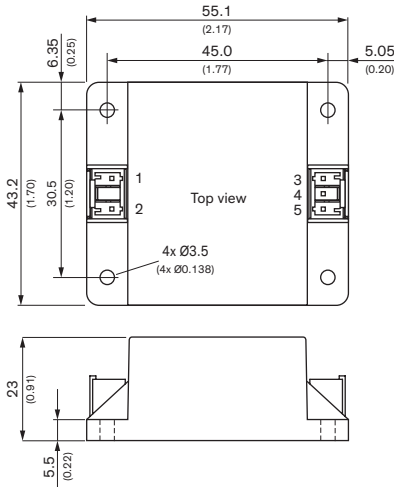
- PCB mount 1.46 x 1.08 x 0.69"
- Wide 90-305 VAC input voltage range
- Certified to EN 60335-1 and IEC/EN/UL 62368-1
- ErP compliant(<100 mW no load)
- I/O-isolation 4000 VAC
- 40° to +70°C temperature range
- EMI meets EN 55032 class B
- High efficiency up to 89%
- Protection class II prepared
- 3-year product warranty

Pin Connections	
Pin	Single
1	NC
2	+Vout
3	GND
4	AC (L)
5	AC (N)

TMPW 5-J

5 Watt

EN 60335-1 Approved



Model	Output Voltage nom.	Output Current max.	Efficiency typ.
TMPW 5-103-J	3.3 VDC	1515 mA	73%
TMPW 5-105-J	5 VDC	1000 mA	77%
TMPW 5-112-J	12 VDC	420 mA	81%
TMPW 5-124-J	24 VDC	210 mA	83%

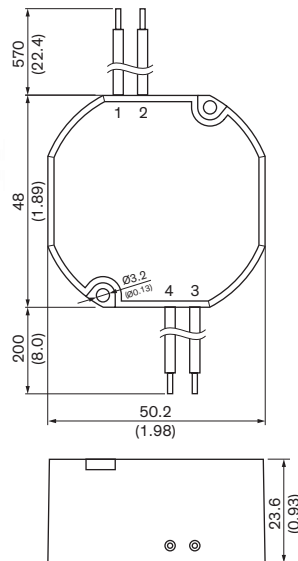
- PCB power module in 2.17" x 1.70" package
- Wide 90-305 VAC input voltage range
- Certified to EN 60335-1 and IEC/EN/UL 62368-1
- I/O-isolation 4000 VAC
- Operating temperature range: -40° to +70°C
- No load input power <0.1 W (ErP ready)
- EMI meets EN 55032 class B
- High efficiency up to 83%
- Protection class II prepared
- 3-year product warranty

Pin Connections	
Pin	Single
1	AC (L)
2	AC (N)
3	-Vout
4	NC
5	+Vout

TIW 6 / TIW 12

6 / 12 Watt

EN 60335-1 Approved



Model	Output Voltage	Output Current	Efficiency typ.
TIW 06-103	3.3 VDC	1.2 A	73%
TIW 06-105	5 VDC	1.0 A	75%
TIW 06-106	6 VDC	1.0 A	81%
TIW 12-112	12 VDC	1.0 A	79%
TIW 12-115	15 VDC	0.8 A	80%
TIW 12-124	24 VDC	0.5 A	81%

- High efficiency switching power supplies
- Easy installation into standard flush boxes
- Fully encapsulated plastic housing
- Dust and waterproof to IP 67
- Protection class II
- Safety approval to IEC/EN 62368-1 EN 50178, EN 60335-1, UL 1310 class 2
- Approved for mounting onto wood or materials with unknown flammability
- Ready to meet ErP directive
- Universal input range 90 to 264 VAC
- Operating temp. range -25°C to +50°C
- Short circuit and overload protection
- 3-year product warranty

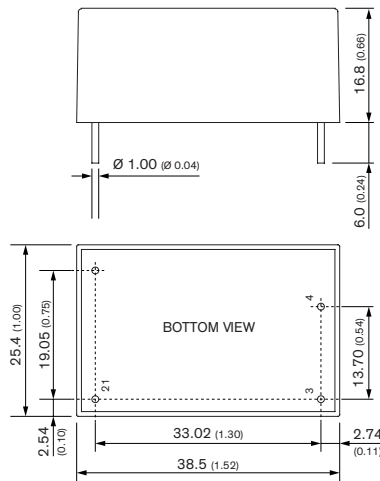
Pinout			
Pin	Wire	Color	Type
1	AC (N)	White	18AWG/0.82 mm ²
2	AC (L)	Black	18AWG/0.82 mm ²
3	-Vout	Black	20AWG/0.52 mm ²
4	+Vout	Red	20AWG/0.52 mm ²

TMB 07

In Development

7 Watt

EN 60335-1 Approved



- 1.52" x 1.0" package
- Supports 90–370 VDC input
- I/O-Isolation 3'000 VAC
- Operating temperature -40°C to +70°C
- No load input <0.3W (ErP directive)
- High efficiency up to 86%
- Internal EN 55032 class B filter
- Protection class II prepared
- 3 year product warranty

Pinout	
Pin	Function
1	AC (N)
2	AC (L)
3	-Vout
4	+Vout

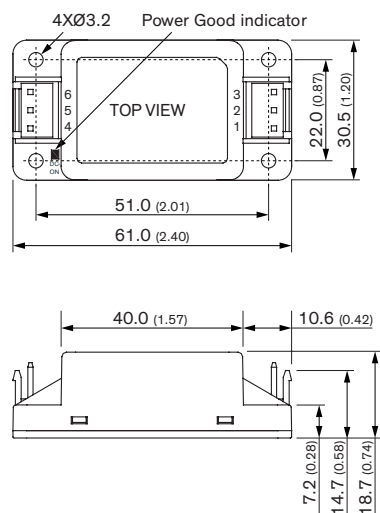
Model	Output		Efficiency
	Vnom	I _{max}	
TMB 07-105	5 VDC	1400 mA	80%
TMB 07-112	12 VDC	585 mA	84%
TMB 07-115	15 VDC	467 mA	84%
TMB 07-124	24 VDC	292 mA	85%
TMB 07-148	48 VDC	146 mA	84%

TMB 07-J

In Development

7 Watt

EN 60335-1 Approved



- 2.4" x 1.2" package
- Supports 90–370 VDC input
- I/O-Isolation 3'000 VAC
- Operating temperature -40°C to +70°C
- No load input <0.3W (ErP directive)
- High efficiency up to 86%
- Internal EN 55032 class B filter
- Protection class II prepared
- 3 year product warranty

Pinout	
Pin	Function
1	AC (L)
2	No Pin
3	AC (N)
4	No Pin
5	-Vout
6	+Vout

Model	Output		Efficiency
	Vnom	I _{max}	
TMB 07-105-J	5 VDC	1400 mA	80%
TMB 07-112-J	12 VDC	585 mA	84%
TMB 07-115-J	15 VDC	467 mA	84%
TMB 07-124-J	24 VDC	292 mA	85%
TMB 07-148-J	48 VDC	146 mA	84%

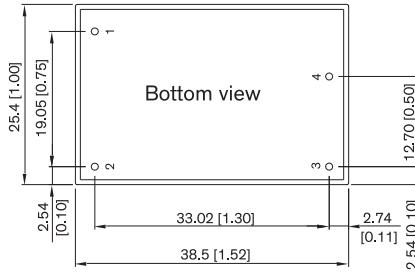
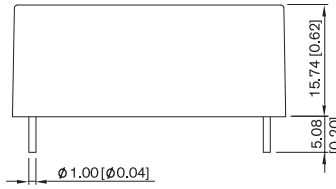
Input (pin 1, 2, 3): JST series
mates with JST crimp terminal: SVH-41T-P1.1
and terminal housing: VAR-2

Output (pin 4, 5, 6): JST series
mates with JST crimp terminal: SVH-41T-P1.1
and terminal housing: VHR-3

TMPS 10

10 Watt

EN 60335-1 Approved



Model	Output Voltage nom.	Output Current max.	Output Current peak	Efficiency typ.
TMPS 10-103	3.3 VDC	2'600 mA	3'380 mA	77 %
TMPS 10-105	5 VDC	2'000 mA	2'600 mA	80 %
TMPS 10-109	9 VDC	1'100 mA	1'440 mA	83 %
TMPS 10-112	12 VDC	830 mA	1'080 mA	84 %
TMPS 10-115	15 VDC	660 mA	860 mA	84 %
TMPS 10-124	24 VDC	410 mA	530 mA	86 %
TMPS 10-148	48 VDC	210 mA	270 mA	84 %

- PCB mount 1.0 x 1.5 x 0.62"
- Certified to EN 60355-1 and IEC/EN/UL 62368-1
- ErP compliant (<150 mW no load)
- Reinforced I/O isolation 4000 VAC
- -25°C to +70°C temperature range
- 130% peak current up to 30 s
- EN 55032 class B and EN 55014-1
- Protection class II prepared
- 3-year product warranty

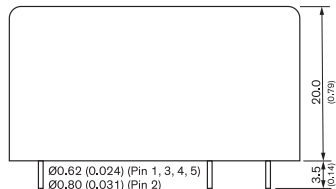
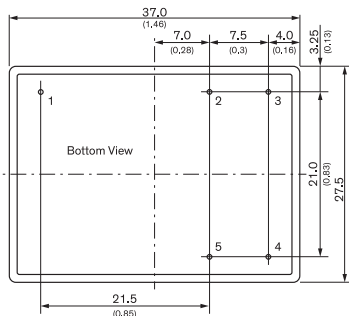
Pin Connections

Pin	Function
1	AC (N)
2	AC (L)
3	-Vout
4	+Vout

TMPW 10

10 Watt

EN 60335-1 Approved



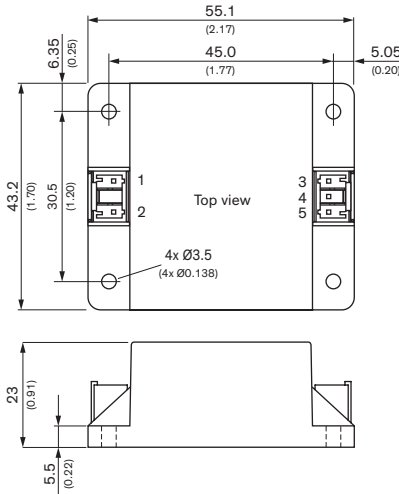
Model	Output Voltage nom.	Output Current max.	Efficiency typ.
TMPW 10-105	5 VDC	2000 mA	81 %
TMPW 10-112	12 VDC	833 mA	85 %
TMPW 10-115	15 VDC	667 mA	86 %
TMPW 10-124	24 VDC	417 mA	86 %

- PCB mount 1.46 x 1.08 x 0.79"
- Wide 90-305 VAC input voltage range
- Certified to EN 60355-1 and IEC/EN/UL 62368-1
- ErP compliant (<100 mW no load)
- I/O-isolation 4000 VAC
- -40° to +70°C temperature range:
- EMI meets EN 55032 class B
- High efficiency up to 89%
- Protection class II prepared
- 3-year product warranty

TMPW 10-J

10 Watt

EN 60335-1 Approved



Model	Output Voltage nom.	Output Current max.	Efficiency typ.
TMPW 10-105-J	5 VDC	2000 mA	81%
TMPW 10-112-J	12 VDC	833 mA	85%
TMPW 10-115-J	15 VDC	667 mA	86%
TMPW 10-124-J	24 VDC	417 mA	86%

- PCB power module in 2.17" x 1.70" package
- Wide 90-305 VAC input voltage range
- Certified to EN 60335-1 & IEC/EN/UL 62368-1
- I/O-isolation 4000 VAC
- Operating temperature range: -40° to +70°C
- No load input power <0.1 W (ErP ready)
- EMI meets EN 55032 class B
- High efficiency up to 86%
- Protection class II prepared
- 3-year product warranty

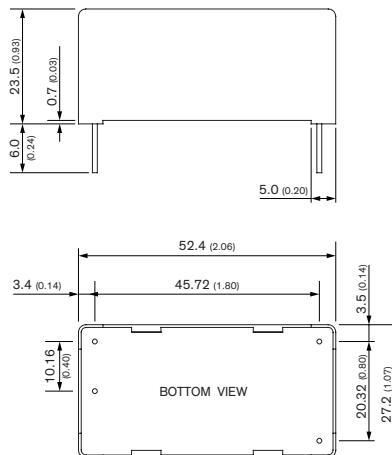
Pin Connections	
Pin	Single
1	AC (L)
2	AC (N)
3	-Vout
4	NC
5	+Vout

TMB 15

In Development

15 Watt

EN 60335-1 Approved

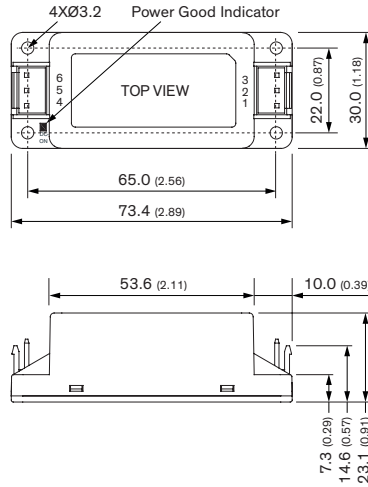


Model	Output		Efficiency
	Vnom	I _{max}	
TMB 15-105	5.1 VDC	3000 mA	80%
TMB 15-112	12 VDC	1250 mA	85%
TMB 15-115	15 VDC	1000 mA	86%
TMB 15-124	24 VDC	625 mA	86%
TMB 15-148	48 VDC	313 mA	86%

- 2.06" x 1.07" package
- Supports 90-370 VDC input
- I/O-Isolation 3'000 VAC
- Operating temperature -40°C to +70°C
- No load input <0.3W (ErP directive)
- High efficiency up to 86%
- Internal EN 55032 class B filter
- Protection class II prepared
- 3 year product warranty

Pinout	
Pin	Function
1	AC(N)
2	AC(L)
3	+Vout
4	-Vout

EN 60335-1 Approved



- 2.90" x 1.18" package
- Supports 90–370 VDC input
- I/O-Isolation 3'000 VAC
- Operating temperature -40°C to +70°C
- No load input <0.3W (ErP directive)
- High efficiency up to 86%
- Internal EN 55032 class B filter
- Protection class II prepared
- 3 year product warranty

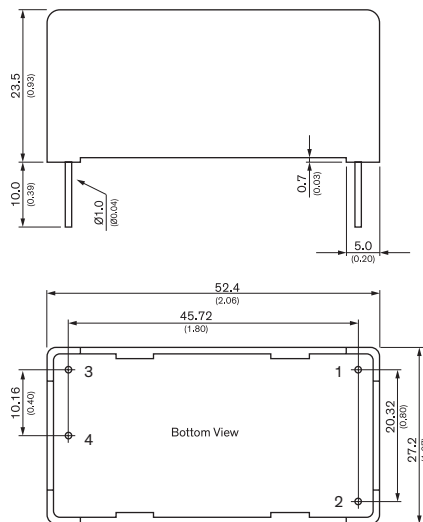
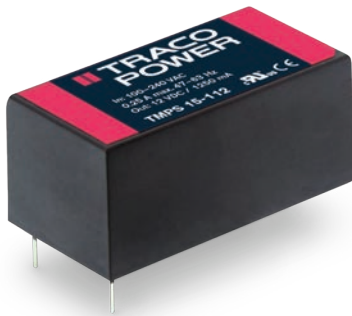
Pinout	
Pin	Function
1	AC (N)
2	No Pin
3	AC (L)
4	No Pin
5	+Vout
6	-Vout

Model	Output		Efficiency
	Vnom	I _{max}	
TMB 15-105-J	5.1 VDC	3000 mA	80%
TMB 15-112-J	12 VDC	1250 mA	85%
TMB 15-115-J	15 VDC	1000 mA	86%
TMB 15-124-J	24 VDC	625 mA	86%
TMB 15-148-J	48 VDC	313 mA	86%

Input (pin 1, 3): JST series
mates with JST crimp terminal: SVH-41T-P1.1
and terminal housing: VAR-2

Output (pin 5, 6): JST series
mates with JST crimp terminal: SVH-41T-P1.1
and terminal housing: VHR-3

EN 60335-1 Approved



- PCB mount 2.06 x 1.07 x 0.93"
- Certified to EN 60355-1 and IEC/EN/UL 62368-1
- ErP compliant (<150 mW no load)
- I/O isolation 3000 VAC
- -25°C to +70°C temperature range
- 130% peak current up to 30 s
- EN 55032 class B and EN 55014-1
- Protection class II prepared
- 3-year product warranty

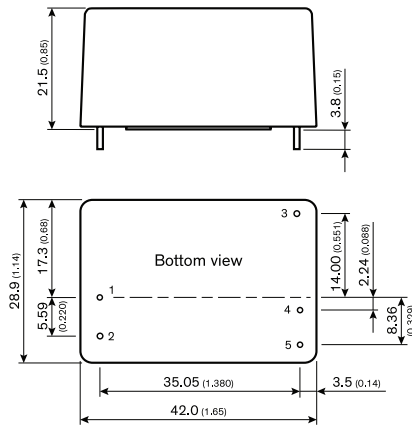
Pin Connections	
Pin	Function
1	AC (N)
2	AC (L)
3	+Vout
4	-Vout

Model	Output Voltage nom.	Output Current max.	Output Current peak	Efficiency typ.
TMPS 15-103	3.3 VDC	3500 mA	4550 mA	75 %
TMPS 15-105	5 VDC	3000 mA	3900 mA	79 %
TMPS 15-112	12 VDC	1250 mA	1625 mA	82 %
TMPS 15-115	15 VDC	1000 mA	1300 mA	82 %
TMPS 15-124	24 VDC	625 mA	813 mA	84 %
TMPS 15-148	48 VDC	313 mA	407 mA	82 %

TPP 15-D

15 Watt

EN 60335-1 Approved



Model	Output Voltage nom. *	*adjustable	Output Current max.	Efficiency typ.
TPP 15-103-D	3.3 VDC	2.97 - 3.63 VDC	4'000 mA	84 %
TPP 15-105-D	5 VDC	4.5 - 5.5 VDC	3'000 mA	86 %
TPP 15-109-D	9 VDC	8.1 - 9.9 VDC	1'670 mA	86 %
TPP 15-112-D	12 VDC	10.8 - 13.2 VDC	1'250 mA	87 %
TPP 15-115-D	15 VDC	13.5 - 16.5 VDC	1'000 mA	87 %
TPP 15-124-D	24 VDC	21.6 - 26.4 VDC	625 mA	88 %
TPP 15-136-D	36 VDC	32.4 - 39.6 VDC	417 mA	88 %
TPP 15-148-D	48 VDC	43.2 - 52.8 VDC	313 mA	89 %

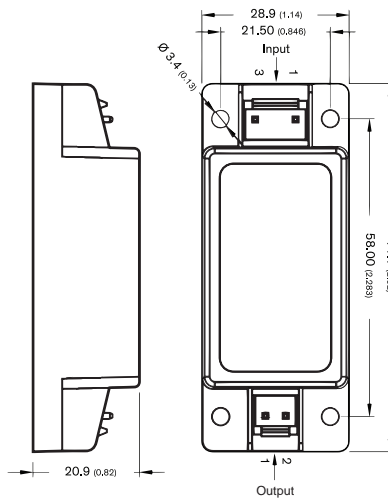
- 1.65 x 1.14 x 0.85" PCB mount
- IEC/EN/ES 60601-1 3rd ed. (2xMOPP)
- IEC/EN/UL 62368-1 approved
- ErP compliant (<75 mW no load)
- Low leakage current <75 µA
- Rated for BF applications
- IEC 60601-1-2 4th edition EMC
- ISO 14971 risk management file
- IPC-A-610 Level 2 acceptance criteria
- Protection class II
- Operating up to 5000m altitude
- 5-year product warranty

Pin Connections	
Pin	Function
1	Neutral
2	Line
3	Trim
4	-Vout
5	+Vout

TPP 15-J

15 Watt

EN 60335-1 Approved



Model	Output Voltage nom.	Output Current max.	Efficiency typ.
TPP 15-103-J	3.3 VDC	4'000 mA	84 %
TPP 15-105-J	5 VDC	3'000 mA	86 %
TPP 15-109-J	9 VDC	1'670 mA	86 %
TPP 15-112-J	12 VDC	1'250 mA	87 %
TPP 15-115-J	15 VDC	1'000 mA	87 %
TPP 15-124-J	24 VDC	625 mA	88 %
TPP 15-136-J	36 VDC	417 mA	88 %
TPP 15-148-J	48 VDC	313 mA	89 %

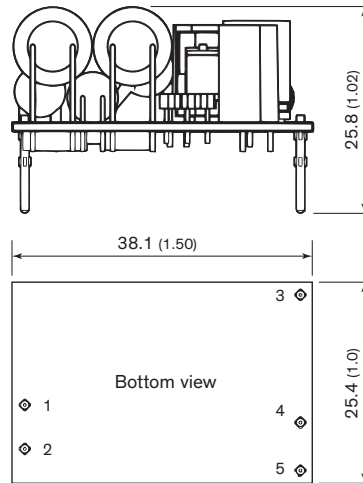
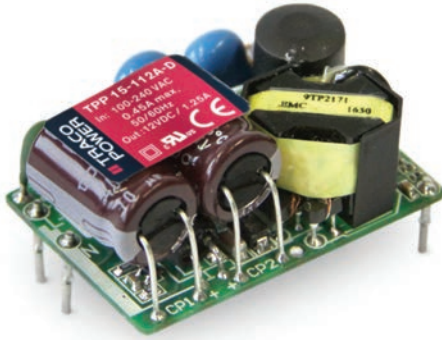
- Chassis Mount (2.82 x 1.14 x 0.82")
- IEC/EN/ES 60601-1 3rd ed. (2xMOPP)
- IEC/EN/UL 62368-1 approved
- Low leakage current <75 µA
- Rated for BF applications
- IEC 60601-1-2 4th edition EMC
- ErP compliant (<75 mW no load)
- ISO 14971 risk management file
- IPC-A-610 Level 2 acceptance criteria
- Protection class II
- Operating up to 5000m altitude
- 5-year product warranty

Pin Connectors			
Input		Output	
Pin	Function	Pin	Function
1	Line	1	-Vout
3	Neutral	2	+Vout

TPP 15A-D

15 Watt

EN 60335-1 Approved



- 1.0 x 1.50 x 1.02" open frame (PCB mount)
- IEC/EN/ES 60601-1 3rd ed. (2xMOPP)
- IEC/EN/UL 62368-1 approved
- Low leakage current <75 μ A
- Rated for BF applications
- IEC 60601-1-2 4th edition EMC
- ISO 14971 risk management file
- ErP compliant (<75 mW no load)
- IPC-A-610 Level 2 acceptance criteria
- Protection class II
- Operating up to 5000m altitude
- 5-year product warranty

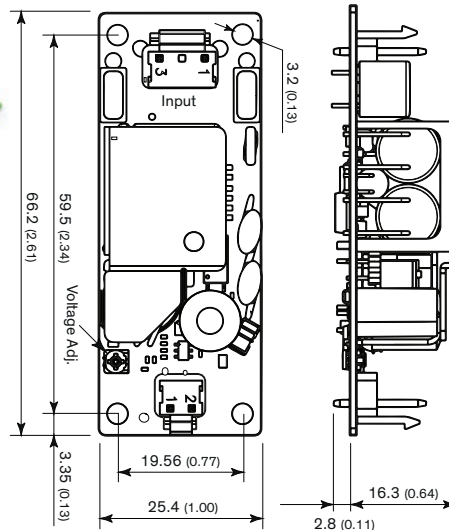
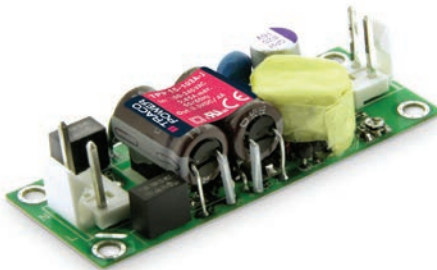
PCB Pinout	
Pin	Function
1	Neutral
2	Line
3	Trim
4	-Vout
5	+Vout

Model	Output Voltage nom. (adjustable)	Output Current max.	Efficiency typ.
TPP 15-103A-D	3.3 VDC (2.97 - 3.63 VDC)	4'000 mA	84 %
TPP 15-105A-D	5 VDC (4.5 - 5.5 VDC)	3'000 mA	86 %
TPP 15-109A-D	9 VDC (8.1 - 9.9 VDC)	1'670 mA	86 %
TPP 15-112A-D	12 VDC (10.8 - 13.2 VDC)	1'250 mA	87 %
TPP 15-115A-D	15 VDC (13.5 - 16.5 VDC)	1'000 mA	87 %
TPP 15-124A-D	24 VDC (21.6 - 26.4 VDC)	625 mA	88 %
TPP 15-136A-D	36 VDC (32.4 - 39.6 VDC)	417 mA	88 %
TPP 15-148A-D	48 VDC (43.2 - 52.8 VDC)	313 mA	89 %

TPP 15A-J

15 Watt

EN 60335-1 Approved

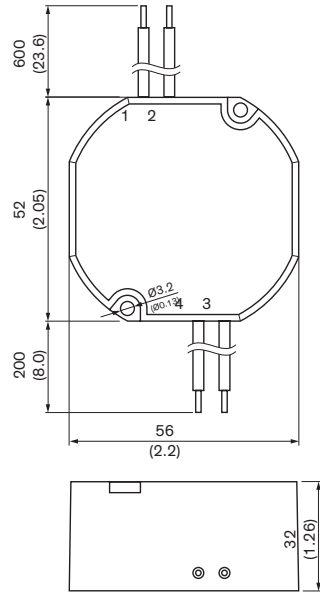


- 2.61 x 1.00 x 0.75" open frame
- IEC/EN/ES 60601-1 3rd ed. (2xMOPP)
- IEC/EN/UL 62368-1 approved
- Low leakage current <75 μ A
- Rated for BF applications
- IEC 60601-1-2 4th edition EMC
- ErP compliant (<75 mW no load)
- ISO 14971 risk management file
- IPC-A-610 Level 2 acceptance criteria
- Protection class I and II
- Operating up to 5000m altitude)
- 5-year product warranty

Pin Connectors			
Input		Output	
Pin	Function	Pin	Function
1	Line	1	-Vout
3	Neutral	2	+Vout

Model	Output Voltage nom. (adjustable)	Output Current max.	Efficiency typ.
TPP 15-103A-J	3.3 VDC (2.97 - 3.63 VDC)	4'000 mA	84 %
TPP 15-105A-J	5 VDC (4.5 - 5.5 VDC)	3'000 mA	86 %
TPP 15-109A-J	9 VDC (8.1 - 9.9 VDC)	1'670 mA	86 %
TPP 15-112A-J	12 VDC (10.8 - 13.2 VDC)	1'250 mA	87 %
TPP 15-115A-J	15 VDC (13.5 - 16.5 VDC)	1'000 mA	87 %
TPP 15-124A-J	24 VDC (21.6 - 26.4 VDC)	625 mA	88 %
TPP 15-136A-J	36 VDC (32.4 - 39.6 VDC)	417 mA	88 %
TPP 15-148A-J	48 VDC (43.2 - 52.8 VDC)	313 mA	89 %

EN 60335-1 Approved

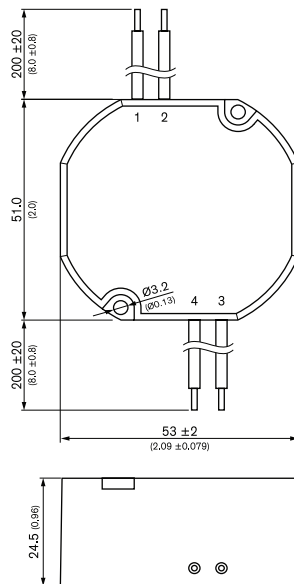
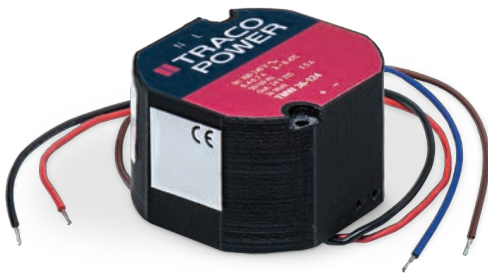


Model	Output Voltage	Output Current	Efficiency typ.
TIW 24-112	12 VDC	2.0 A	83 %
TIW 24-124	24 VDC	1.0 A	85 %

- 2.20 x 2.05 x 1.26" encapsulated package
- High efficiency power supplies
- Installation into standard flush boxes
- Dust and waterproof to IP 67
- Protection class II
- Approval to EN 60335-1
- Approved for mounting onto wood or materials with unknown flammability
- Ready to meet ErP directive
- Universal input range 93 to 264 VAC
- -25°C to +50° temperature range
- Short circuit and overload protection
- 3-year product warranty

Pinout			
Pin	Wire	Color	Type
1	AC (N)	Blue	20AWG/0.52mm ²
2	AC (L)	Brown	20AWG/0.52mm ²
3	-Vout	Black	20AWG/0.52mm ²
4	+Vout	Red	20AWG/0.52mm ²

EN 60335-1 Approved



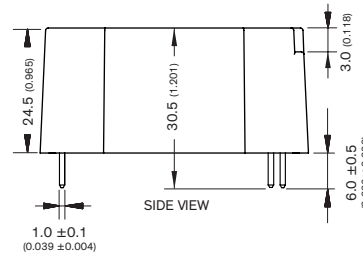
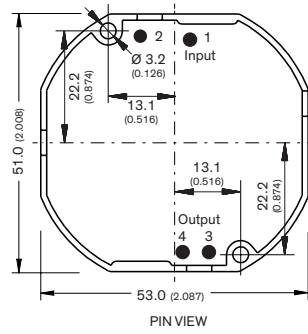
Model	Output Voltage nom.	Output Current max.	Efficiency typ.
TMW 24-105	5 VDC	4000 mA	85 %
TMW 24-112	12 VDC	2000 mA	85 %
TMW 24-124	24 VDC	1000 mA	90 %

* Also available as pin version: suffix -P

- 2.09 x 2.00 x 0.95 encapsulated package
- IP68 casing with flying leads
- IEC/EN/ES 60601-1 3rd ed. (2xMOPP)
- ISO 14971 risk management file
- Effortless flush box mounting
- Fire safety for furniture
- Low leakage current <100 µA
- Rated for BF applications
- -20°C to +80°C temperature range
- Protection against short-circuit, overload and over voltage
- Protection class II prepared
- 5 year product warranty

Pinout / Conecction			
Pin	Wire	Color	Type
1	Vac IN (N)	Blue	20AWG/0.52mm ²
2	Vac IN (L)	Brown	20AWG/0.52mm ²
3	-Vout	Black	20AWG/0.52mm ²
4	+Vout	Red	20AWG/0.52mm ²

EN 60335-1 Approved

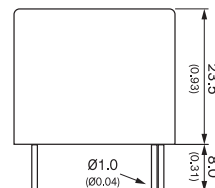
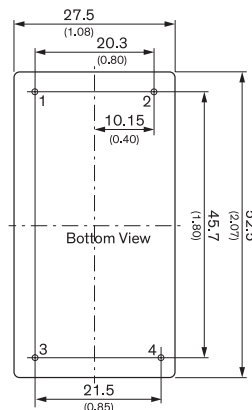


- 2.00 x 2.08" encapsulated PCB mount
- IP68 casing (waterproof & dust resistant)
- IEC/EN/ES 60601-1 3rd ed. (2xMOPP)
- ISO 14971 risk management file
- Effortless flush box mounting
- Fire safety for furniture
- Low leakage current <100 µA
- Rated for BF applications
- Operating temperature -20°C to +80°C
- Protection against short-circuit, over load and over voltage
- Protection class II prepared
- 5 year product warranty

Pinout	
Pin	Function
1	AC (N)
2	AC (L)
3	-Vout
4	+Vout

Model	Output Voltage nom.	Output Current max.	Efficiency typ.
TMW 24-105P	5.1 VDC	4000 mA	85%
TMW 24-112P	12 VDC	2000 mA	88%
TMW 24-124P	24 VDC	1000 mA	90%

EN 60335-1 Approved



- 2.07 x 1.08 x 0.93" PCB mount
- Wide 90-305 VAC input voltage range
- Certified according to EN 60335-1 and IEC/EN/UL 62368-1
- ErP compliant (<100 mW no load)
- I/O-isolation 4000 VAC
- -40° to +70°C temperature range
- EMI meets EN 55032 class B
- High efficiency up to 89%
- Protection class II prepared
- 3-year product warranty

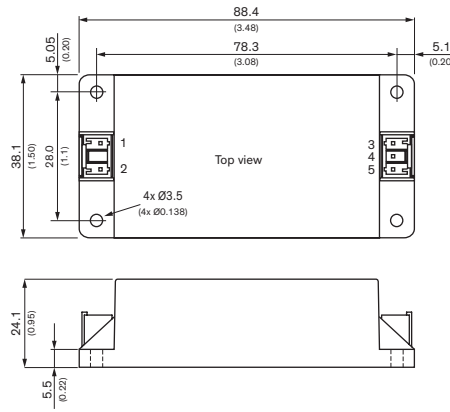
Pin Connections	
Pin	Function
1	AC (L)
2	AC (N)
3	+Vout
4	-Vout

Model	Output Voltage nom.	Output Current max.	Efficiency typ.
TMPW 25-105	5.1 VDC	3922 mA	84 %
TMPW 25-112	12 VDC	2083 mA	88 %
TMPW 25-115	15 VDC	1666 mA	88 %
TMPW 25-124	24 VDC	1042 mA	87 %

TMPW 25-J

25 Watt

EN 60335-1 Approved



Model	Output Voltage nom.	Output Current max.	Efficiency typ.
TMPW 25-105-J	5.1 VDC	3922 mA	84 %
TMPW 25-112-J	12 VDC	2083 mA	88 %
TMPW 25-115-J	15 VDC	1666 mA	88 %
TMPW 25-124-J	24 VDC	1042 mA	87 %

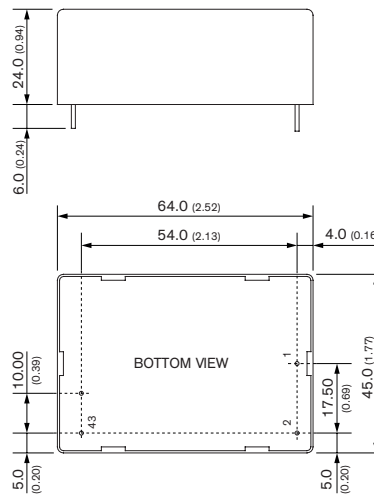
- Chassis Mount (3.48 x 1.50 x 0.95")
- Wide 90-305 VAC input voltage range
- EN 60355-1 and IEC/EN/UL 62368-1
- ErP compliant (<100 mW no load)
- I/O-isolation 4000 VAC
- 40° to +70°C temperature range
- EMI meets EN 55032 class B
- High efficiency up to 89%
- Protection class II prepared
- 3-year product warranty

Pin Connections	
Pin	Single
1	AC (L)
2	AC (N)
3	-Vout
4	NC
5	+Vout

TMB 30 In Development

30 Watt

EN 60335-1 Approved

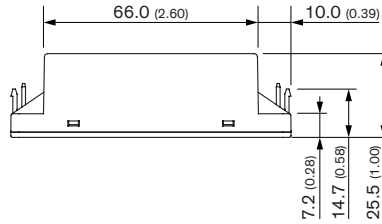
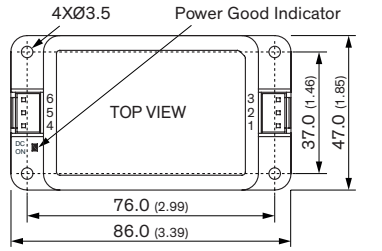


Model	Output		Efficiency
	Vnom	Imax	
TMB 30-105	5.1 VDC	5000 mA	86%
TMB 30-112	12 VDC	2500 mA	88%
TMB 30-115	15 VDC	2000 mA	88%
TMB 30-124	24 VDC	1250 mA	88%
TMB 30-148	48 VDC	625 mA	88%

- 2.52" x 1.77" package
- Supports 90-370 VAC input
- I/O-Isolation 3'000 VAC
- Operating temperature -40°C to +70°C
- No load input <0.3W (ErP directive)
- High efficiency up to 86%
- Internal EN 55032 class B filter
- Protection class II prepared
- 3 year product warranty

Pinout	
Pin	Function
1	AC (N)
2	AC (L)
3	+Vout
4	-Vout

EN 60335-1 Approved



- 3.4" x 1.85" package
- Supports 90–370 VDC input
- I/O-Isolation 3'000 VAC
- Operating temperature -40°C to +70°C
- No load input <0.3W (ErP directive)
- High efficiency up to 86%
- Internal EN 55032 class B filter
- Protection class II prepared
- 3 year product warranty

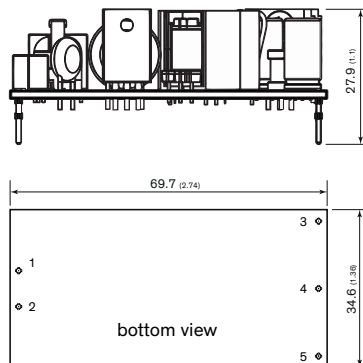
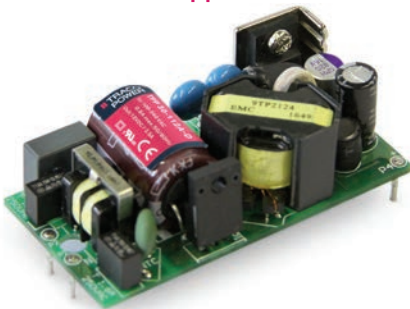
Pinout	
Pin	Function
1	AC (N)
2	No Pin
3	AC (L)
4	No Pin
5	+Vout
6	- Vout

Model	Output		Efficiency
	Vnom	I _{max}	
TMB 30-105-J	5.1 VDC	5000 mA	86%
TMB 30-112-J	12 VDC	2500 mA	88%
TMB 30-115-J	15 VDC	2000 mA	88%
TMB 30-124-J	24 VDC	1250 mA	88%
TMB 30-148-J	48 VDC	625 mA	88%

Input (pin 1, 2, 3): JST series mates with JST crimp terminal: SVH-41T-P1.1 and terminal housing: VAR-2

Output (pin 4, 5, 6): JST series mates with JST crimp terminal: SVH-41T-P1.1 and terminal housing: VHR-3

EN 60335-1 Approved



- 2.74 x 1.36 x 1.10" open frame (PCB mount)
- IEC/EN/ES 60601-1 3rd ed. (2xMOPP)
- IEC/EN/UL 62368-1 approved
- Low leakage current <75 µA
- Rated for BF applications
- IEC 60601-1-2 4th edition EMC
- ErP compliant (<60 mW no load)
- ISO 14971 risk management file
- IPC-A-610 Level 2 criteria
- Protection class II
- Operating up to 5000m altitude
- 5-year product warranty

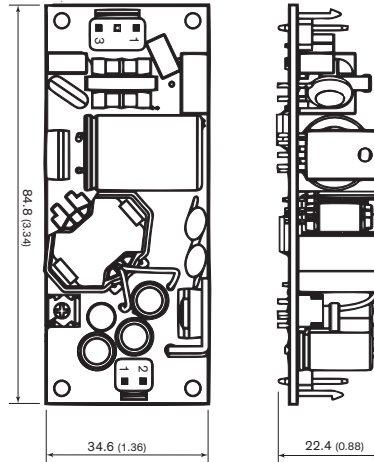
PCB Pinout	
Pin	Function
1	Neutral
2	Line
3	+Vout
4	-Vout
5	Trim

Model	Output Voltage nom. (adjustable)	Output Current max.	Efficiency typ.
TPP 30-103A-D	3.3 VDC (2.97 - 3.63 VDC)	6'000 mA	84 %
TPP 30-105A-D	5 VDC (4.5 - 5.5 VDC)	6'000 mA	87 %
TPP 30-109A-D	9 VDC (8.1 - 9.9 VDC)	3'340 mA	88 %
TPP 30-112A-D	12 VDC (10.8 - 13.2 VDC)	2'500 mA	91 %
TPP 30-115A-D	15 VDC (13.5 - 16.5 VDC)	2'000 mA	91 %
TPP 30-124A-D	24 VDC (21.6 - 26.4 VDC)	1'250 mA	90 %
TPP 30-136A-D	36 VDC (32.4 - 39.6 VDC)	840 mA	90 %
TPP 30-148A-D	48 VDC (43.2 - 52.8 VDC)	630 mA	92 %

TPP 30A-J

30 Watt

EN 60335-1 Approved



- 3.4 x 1.36 x 0.88" open frame
- IEC/EN/ES 60601-1 3rd ed. (2xMOPP)
- IEC/EN/UL 62368-1 approved
- IEC/EN 60601-1-2 4th edition (EMC)
- ISO 14971 risk management file
- Low leakage current <75 µA
- Rated for BF applications
- ErP compliant (<75 mW no load)
- IPC-A-610 Level 2 criteria
- Protection class I and II
- Operating up to 5000m altitude
- ErP compliant (<60 mW no load)
- 5-year product warranty

Pin Connectors

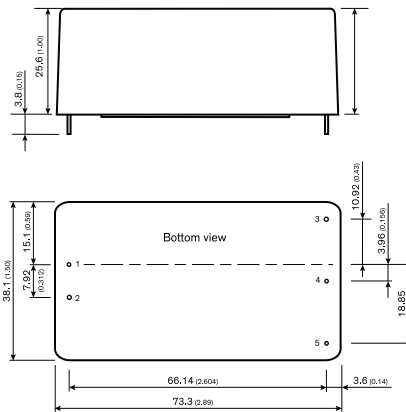
Input		Output	
Pin	Function	Pin	Function
1	Line	1	+Vout
3	Neutral	2	-Vout

Model	Output Voltage nom. (adjustable)	Output Current max.	Efficiency typ.
TPP 30-103A-J	3.3 VDC (2.97 - 3.63 VDC)	6'000 mA	84 %
TPP 30-105A-J	5 VDC (4.5 - 5.5 VDC)	6'000 mA	87 %
TPP 30-109A-J	9 VDC (8.1 - 9.9 VDC)	3'340 mA	88 %
TPP 30-112A-J	12 VDC (10.8 - 13.2 VDC)	2'500 mA	91 %
TPP 30-115A-J	15 VDC (13.5 - 16.5 VDC)	2'000 mA	91 %
TPP 30-124A-J	24 VDC (21.6 - 26.4 VDC)	1'250 mA	90 %
TPP 30-136A-J	36 VDC (32.4 - 39.6 VDC)	840 mA	90 %
TPP 30-148A-J	48 VDC (43.2 - 52.8 VDC)	630 mA	92 %

TPP 30-D

30 Watt

EN 60335-1 Approved



- 2.89 x 1.50 x 1.00" PCB mount
- IEC/EN/ES 60601-1 3rd ed. (2xMOPP)
- IEC/EN/UL 62368-1 approved
- ErP compliant (<60 mW no load)
- Low leakage current <75 µA
- Rated for BF applications
- IEC 60601-1-2 4th edition EMC
- ISO 14971 risk management file
- IPC-A-610 Level 2 criteria
- Protection class II
- Operating up to 5000m altitude
- 5-year product warranty

PCB Pinout

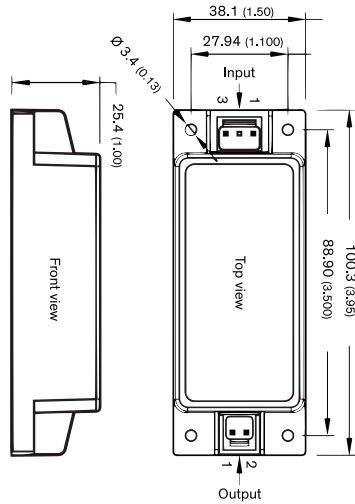
Pin	Function
1	Neutral
2	Line
3	+Vout
4	-Vout
5	Trim

Model	Output Voltage nom. (adjustable)	Output Current max.	Efficiency typ.
TPP 30-103-D	3.3 VDC (2.97 - 3.63 VDC)	6'000 mA	84 %
TPP 30-105-D	5 VDC (4.5 - 5.5 VDC)	6'000 mA	87 %
TPP 30-109-D	9 VDC (8.1 - 9.9 VDC)	3'340 mA	88 %
TPP 30-112-D	12 VDC (10.8 - 13.2 VDC)	2'500 mA	91 %
TPP 30-115-D	15 VDC (13.5 - 16.5 VDC)	2'000 mA	91 %
TPP 30-124-D	24 VDC (21.6 - 26.4 VDC)	1'250 mA	90 %
TPP 30-136-D	36 VDC (32.4 - 39.6 VDC)	840 mA	90 %
TPP 30-148-D	48 VDC (43.2 - 52.8 VDC)	630 mA	92 %

TPP 30-J

30 Watt

EN 60335-1 Approved



Model	Output Voltage nom. (adjustable)	Output Current max.	Efficiency typ.
TPP 30-103-J	3.3 VDC (2.97 - 3.63 VDC)	6'000 mA	84 %
TPP 30-105-J	5 VDC (4.5 - 5.5 VDC)	6'000 mA	87 %
TPP 30-109-J	9 VDC (8.1 - 9.9 VDC)	3'340 mA	88 %
TPP 30-112-J	12 VDC (10.8 - 13.2 VDC)	2'500 mA	91 %
TPP 30-115-J	15 VDC (13.5 - 16.5 VDC)	2'000 mA	91 %
TPP 30-124-J	24 VDC (21.6 - 26.4 VDC)	1'250 mA	90 %
TPP 30-136-J	36 VDC (32.4 - 39.6 VDC)	840 mA	90 %
TPP 30-148-J	48 VDC (43.2 - 52.8 VDC)	630 mA	92 %

- Chassis Mount (3.95 x 1.50 x 1.00")
- IEC/EN/ES 60601-1 3rd ed. (2xMOPP)
- IEC/EN/UL 62368-1 approved
- ErP compliant(<60 mW no load)
- Low leakage current <75 µA
- Rated for BF applications
- IEC 60601-1-2 4th edition EMC
- ISO 14971 risk management file
- IPC-A-610 Level 2 criteria
- Protection class II
- Operating up to 5000m altitude
- 5-year product warranty

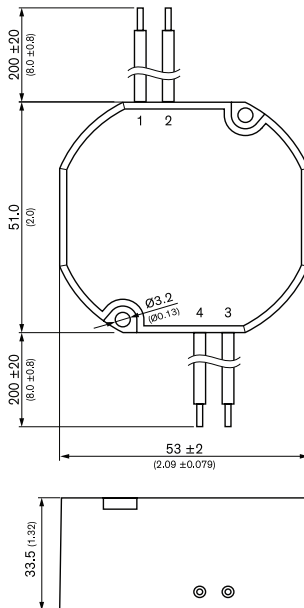
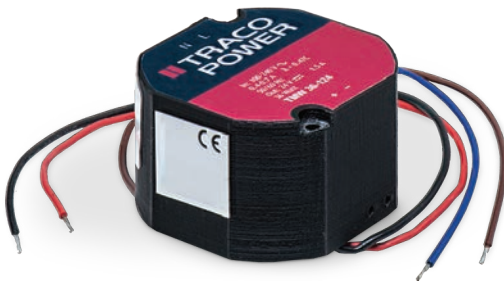
Pin Connectors			
Input		Output	
Pin	Function	Pin	Function
1	Line	1	+Vout
3	Neutral	2	-Vout

TMW 36

NEW!

36 Watt

EN 60335-1 Approved

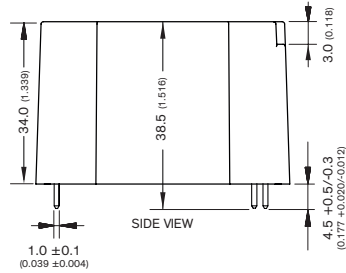
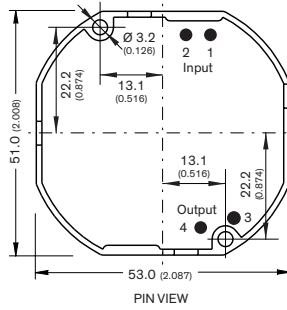


Model	Output Voltage nom.	Output Current max.	Efficiency typ.
TMW 36-112	12 VDC	3.0 A	87 %
TMW 36-124	24 VDC	1.5 A	88 %

* Also available as pin version: suffix -P

- 2.09 x 2.00 x 1.32" encapsulated package
- IP68 rated for protection from dust and water
- IEC/EN/ES 60601-1 3rd ed. (2xMOPP)
- ISO 14971 risk management file
- Effortless flush box mounting
- Fire safety for furniture
- Low leakage current <100 µA
- Rated for BF applications
- -20°C to +80°C temperature range
- Protection against short-circuit, over load and over voltage
- Protection class II prepared
- 5 year product warranty

EN 60335-1 Approved



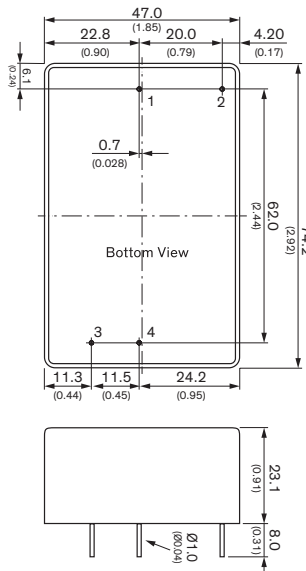
Model	Output Voltage nom.	Output Current max.	Efficiency typ.
TMW 36-112P	12 VDC	3.0 A	87%
TMW 36-124P	24 VDC	1.5 A	88%

- 2.00 x 2.08" encapsulated PCB mount
- IP68 casing (waterproof & dust resistant)
- IEC/EN/ES 60601-1 3rd ed. (2xMOPP)
- ISO 14971 risk management file
- Effortless flush box mounting
- Fire safety for furniture
- Low leakage current <100 μA
- Rated for BF applications
- Operating temperature -20°C to +80°C
- Protection against short-circuit, over load and over voltage
- Protection class II prepared
- 5 year product warranty

Pinout/Conecction

Pin	Function
1	AC (N)
2	AC (L)
3	-Vout
4	+Vout

EN 60335-1 Approved



Model	Output Voltage nom.	Output Current max.	Efficiency typ.
TMPW 50-112	12 VDC	4167 mA	89 %
TMPW 50-115	15 VDC	3333 mA	88 %
TMPW 50-124	24 VDC	2083 mA	88 %

- 2.92 x 1.85 x 0.91" PCB mount
- Wide 90-305 VAC input voltage range
- Certified according to EN 60335-1 and IEC/EN/UL 62368-1
- ErP compliant (<100 mW no load)
- I/O-isolation 4000 VAC
- -40° to +70°C temperature range
- EMI meets EN 55032 class B
- High efficiency up to 89%
- Protection class II prepared
- 3-year product warranty

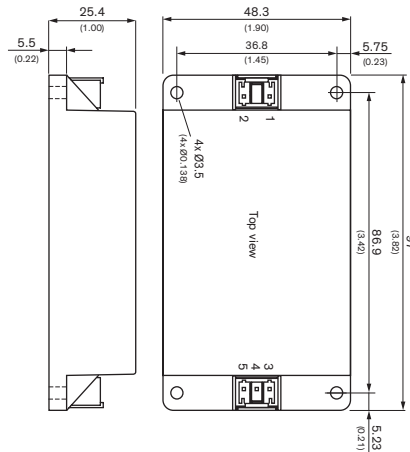
Pin Connections

Pin	Single
1	AC (N)
2	AC (L)
3	-Vout
4	+Vout

TMPW 50-J

50 Watt

EN 60335-1 Approved



Model	Output Voltage nom.	Output Current max.	Efficiency typ.
TMPW 50-112-J	12 VDC	4167 mA	89 %
TMPW 50-115-J	15 VDC	3333 mA	88 %
TMPW 50-124-J	24 VDC	2083 mA	88 %

- Chassis Mount (3.92 x 1.90 x 1.00")
- Wide 90-305 VAC input voltage range
- EN 60335-1 and IEC/EN/UL 62368-1
- ErP compliant (<100 mW no load)
- I/O-isolation 4000 VAC
- -40° to +70°C temperature range
- EMI meets EN 55032 class B
- High efficiency up to 89%
- Protection class II prepared
- 3-year product warranty

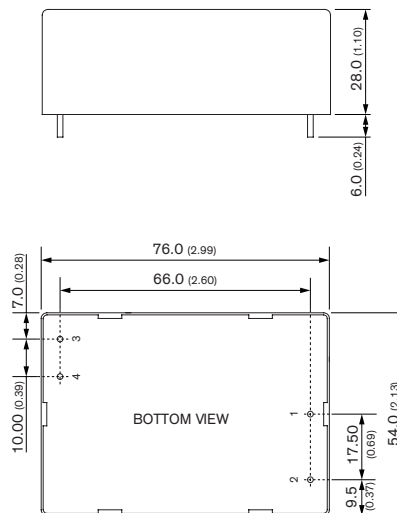
Pin Connections	
Pin	Single
1	AC (N)
2	AC (L)
3	-Vout
4	NC
5	+Vout

TMB 60

In Development

60 Watt

EN 60335-1 Approved

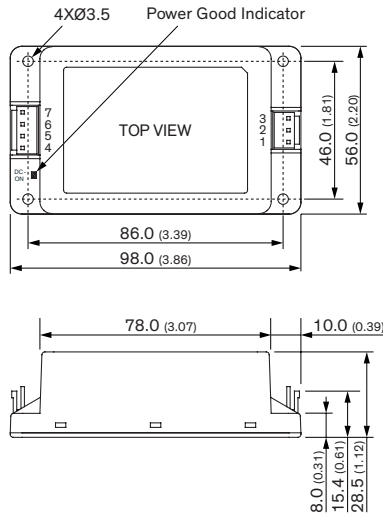


Model	Output		Efficiency
	Vnom	I _{max}	
TMB 60-105	5.1 VDC	10000 mA	87%
TMB 60-112	12 VDC	5000 mA	89%
TMB 60-115	15 VDC	4000 mA	89%
TMB 60-124	24 VDC	2500 mA	89%
TMB 60-148	48 VDC	1250 mA	89%

- 3.0" x 2.13" package
- Supports 90–370 VDC input
- I/O-Isolation 3'000 VAC
- Operating temperature -40°C to +70°C
- No load input <0.3W (ErP directive)
- High efficiency up to 86%
- Internal EN 55032 class B filter
- Protection class II prepared
- 3 year product warranty

Pinout	
Pin	Function
1	AC (N)
2	AC (L)
3	-Vout
4	+Vout

EN 60335-1 Approved



- 3.86" × 2.2" package
- Supports 90–370 VDC input
- I/O-Isolation 3'000 VAC
- Operating temperature -40°C to +70°C
- No load input <0.3W (ErP directive)
- High efficiency up to 86%
- Internal EN 55032 class B filter
- Protection class II prepared
- 3 year product warranty

Pinout	
Pin	Function
1	AC (N)
2	No Pin
3	AC (L)
4	-Vout
5	-Vout
6	+ Vout
7	+ Vout

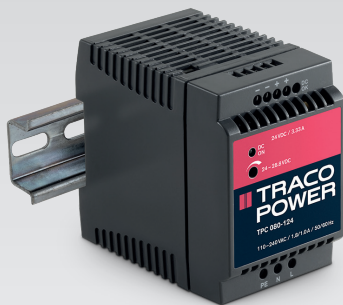
Model	Output		Efficiency
	Vnom	I _{max}	
TMB 60-105-J	5.1 VDC	10000 mA	87%
TMB 60-112-J	12 VDC	5000 mA	89%
TMB 60-115-J	15 VDC	4000 mA	89%
TMB 60-124-J	24 VDC	2500 mA	89%
TMB 60-148-J	48 VDC	1250 mA	89%

Input (pin 1, 2, 3): JST series
mates with JST crimp terminal: SVH-41T-P1.1
and terminal housing: VAR-2

Output (pin 4, 5, 6): JST series
mates with JST crimp terminal: SVH-41T-P1.1
and terminal housing: VHR-4

DIN-Rail Mountable

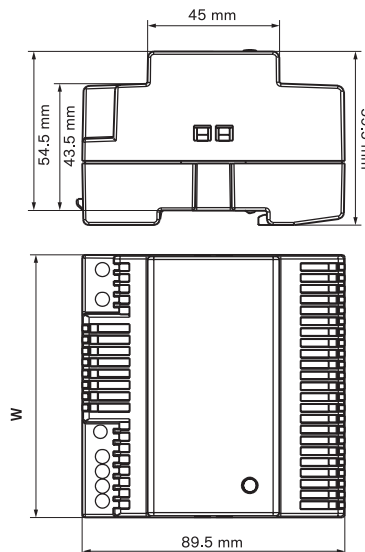
- UL 60950-1 approved
- UL 508 approved (industrial environments)
- UL 1310 class II / NEC class 2 (TBL & TBLC only)
- EN 60335-1 approved (TBLC series)
- Low-profile form factor (TBL & TBLC) for flush box mounting
- Slim profile form factor (TPC & TCL) for industrial enclosures
- Uninterruptable power supply (UPS) with battery management (TSP-BCM & TSPC)



TBLC

6–90 Watt

EN 60335-1 Approved



- UL 60950-1 Approved
- UL 1310 class II, NEC class 2 compliance
- UL 508 listed
- Low profile, module depth only 55mm
- Very high efficiency and low standby power - compliance to ECO-Standard
- Low output ripples and spikes
- -25°C to +70°C temperature range
- Adjustable output voltage
- Short circuit and overload protection
- DC-OK indicator LED
- 3-year product warranty

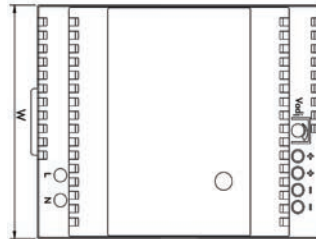
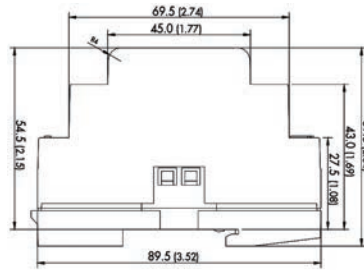
Dimension Table		Weight
Model	Width [W]	[g]
TBLC 06	18 mm	60
TBLC 15	27 mm	80
TBLC 25	36 mm	110
TBLC 50	54 mm	180
TBLC 75	72 mm	220
TBLC 90	90 mm	280

Model	Output Power (max.)	Output Voltage* (nom.)(adjust.)	Output Current (max.)	Efficiency (typ.)
TBLC 06-105	6 W	5.0 VDC	1.2 A	74 %
TBLC 06-112	6 W	12 VDC	0.5 A	81 %
TBLC 06-124	6 W	24 VDC	0.25 A	79 %
TBLC 15-105	12 W	5.0 VDC	2.4 A	81 %
TBLC 15-112	15 W	12 VDC	1.25 A	85 %
TBLC 15-124	15 W	24 VDC	0.63 A	85 %
TBLC 25-105	20 W	5.0 VDC	4.0 A	82 %
TBLC 25-112	24 W	12 VDC	2.0 A	86 %
TBLC 25-124	25 W	24 VDC	1.05 A	87 %
TBLC 50-112	48 W	12 VDC	4.0 A	88 %
TBLC 50-124	50 W	24 VDC	2.1 A	89 %
TBLC 75-112	72 W	12 VDC	6.0 A	89 %
TBLC 75-124	75 W	24 VDC	3.1 A	89 %
TBLC 90-112	90 W	12 VDC	7.5 A	90 %
TBLC 90-124	90 W	24 VDC	3.75 A	90 %

* Output voltage can be adjusted as indicated. However, output power has to be maintained at nominal value. This means the output nominal current has to be reduced in accordance with the increase of output voltage.

TBL

15–150 Watt



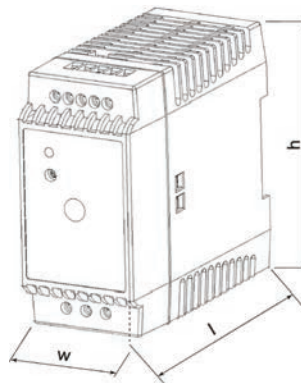
Model	Output Power (max.)	Output Voltage* (nom.)(adjust.)	Output Current (max.)	Efficiency (typ.)
TBL 015-105	12 W	5.0 VDC	2.4 A	73 %
TBL 015-112	15 W	12 VDC	1.25 A	79 %
TBL 015-124	15 W	24 VDC	0.63 A	81 %
TBL 030-112	30 W	12 VDC	2.5 A	81 %
TBL 030-124	30 W	24 VDC	1.25 A	83 %
TBL 060-112	54 W	12 VDC	4.5 A	83 %
TBL 060-124	60 W	24 VDC	2.5 A	85 %
TBL 090-112	72 W	12 VDC	6.0 A	84 %
TBL 090-124	90 W	24 VDC	3.75 A	86 %
TBL 150-112	120 W	12 VDC	10 A	84 %
TBL 150-124	150 W	24 VDC	6.25 A	87 %

- UL 60950-1 Approved
- UL 508 listed
- UL 1310 class II, NEC class 2 compliance (up to 90 W)
- Low profile, module depth only 55mm
- Fits flat control panels
- -25°C to +70°C temperature range
- Adjustable output voltage
- Short circuit and overload protection
- DC-OK indicator
- Easy snap-on mounting on DIN-rail or wall mounting bracket (included)
- 3-year product warranty

Dimension Table		Weight
Model	Width [W]	[g]
TBL 015	26.3 mm	100
TBL 030	52.5 mm	160
TBL 060	70.0 mm	230
TBL 090	105 mm	340
TBL 150	175 mm	625

TPC

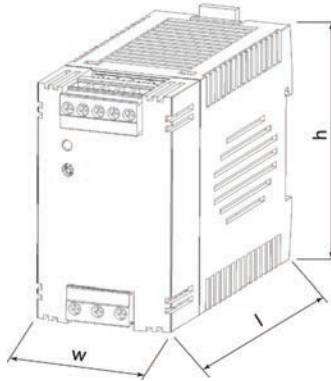
30–120 Watt



Model	Input Voltage Ranges	Output Power max.	Output Voltage nom./ adj. range	Output Current (max.)
TPC 030-105	85–264 VAC Universal Input 47/63 Hz	20 W	5.0 VDC / 5.0–6.0 VDC	4.0 A
TPC 030-112		26 W	12 VDC / 12–15 VDC	2.2 A
TPC 030-124		30 W	24 VDC / 24–28.8 VDC	1.25 A
TPC 030-148	90–375 VDC	30 W	48 VDC / 48–56 VDC	0.6 A
TPC 055-112		42 W	12 VDC / 12–15 VDC	3.5 A
TPC 055-124		55 W	24 VDC / 24–28.8 VDC	2.3 A
TPC 055-148	96 W	55 W	48 VDC / 48–56 VDC	1.15 A
TPC 080-112		72 W	12 VDC / 12–15 VDC	6.0 A
TPC 080-124		80 W	24 VDC / 24–28.8 VDC	3.3 A
TPC 080-148	120 W	80 W	48 VDC / 48–56 VDC	1.7 A
TPC 120-112		96 W	12 VDC / 12–15 VDC	8.0 A
TPC 120-124		120 W	24 VDC / 24–28.8 VDC	5.0 A
TPC 120-148		120 W	48 VDC / 48–56 VDC	2.5 A

- UL 60950-1 Approved
- UL 508 listed
- ErP compliant (<300 mW no load)
- High efficiency across full load range
- DIN-rails or wall mounting bracket
- Output voltage adjustable
- -25°C to +70°C temperature range
- Power good signal
- Low ripple and noise
- Overload and short-circuit protection
- Optional module for parallel and redundant operation
- 3-year product warranty

Dimension Table			
Model	Width [W]	Length [L]	Height [h]
TPC 30	26.5 mm	96.5 mm	90 mm
TPC 55	45 mm	96.5 mm	90 mm
TPC 80	63 mm	96.5 mm	90 mm
TPC 120	72 mm	96.5 mm	90 mm

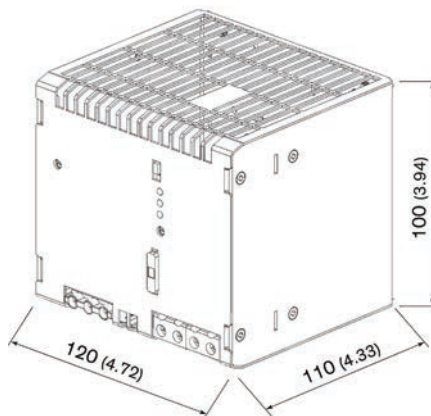


Model	Input Voltage Ranges	Output Power max.	Output Voltage nom.	Output Current (max.)	Connection
TCL 024-105	85 - 264 VAC Universal Input 50/60 Hz	20 W	5 VDC	4.0 A	Detachable screw terminal blocks
TCL 024-112		24 W	12VDC	2.0 A	
TCL 024-124		24 VDC	1.0 A		
TCL 060-112		60 W	12 VDC	4.0 A	
TCL 060-124		24 VDC	2.5 A		
TCL 060-148	85 - 375 VDC	48 VDC	1.25 A		
TCL 120-112	85 - 132 / 187-264 VAC	120 W	12 VDC	8.0 A	Spring clamp terminals
TCL 120-124			24 VDC	5.0 A	
TCL 240-124			24 VDC	10.0 A	
TCL 024-124C	85 - 264 VAC Universal Input 50/60 Hz	24 W	24 VDC	1.0 A	Spring clamp terminals
TCL 060-112C		60 W	12 VDC	4.0 A	
TCL 060-124C		24 VDC	2.5 A		
TCL 060-148C		48 VDC	1.25 A		
TCL 120-112C	85 - 375 VDC	120 W	12 VDC	8.0 A	
TCL 120-124C			24 VDC	5.0 A	

- UL 60950-1 Approved
- UL 508 listed
- Connection by spring clamp terminals or detachable screw terminal block
- DIN-rails or wall mount adaptor
- Output voltage adjustable
- Power OK signal
- -10°C to +70°C temperature range
- Overload and short-circuit protection
- Parallel operation possible
- Redundancy module
- 3-year product warranty

Dimension Table

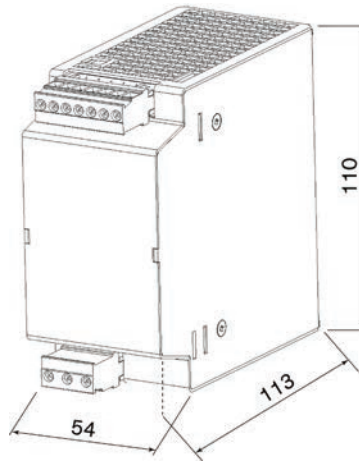
Model	Width [W]	Length [L]	Height [h]
TCL 024	27 mm	100 mm	75 mm
TCL 60	45 mm	100 mm	75 mm
TCL 120	85 mm	100 mm	75 mm
TCL 240	85 mm	125 mm	110 mm



Model	Input Voltage Range	Output Current max.*	Back up Battery
TSPC 240-124 UPS	Low Line: 85-132 VAC High Line: 187-264 VAC	24 VDC / 12 A	12V lead acid battery (to purchase on local market, or TRACO POWER battery pack)

* Maximum current at nominal Vout

- 24 VDC power supply + integrated battery management system
- UL 508, UL 60950-1, EN 60204-1
- ATEX Approved (for IP 54 enclosure)
- Full battery management & protection
- Input, output and battery alarms
- Remote On/Off for UPS function and power supply
- Controlled end of charge voltage by battery temperature sensor
- Use with 12 VDC lead acid batteries
- -25°C to +70°C temperature range
- 3-year product warranty



- Battery controller 24 / 48VDC UPS
- UL 508 Listed, UL 60950-1 approved
- Redundant DC inputs
- Full battery management & protection
- Input, output and battery alarms
- Remote On/Off for UPS and power supply
- International safety approval package
- Use with 12 VDC lead acid batteries
- -25°C to +70°C temperature range
- 3-year product warranty

Model	Inputs	Input Voltage Range	Output Current max.*	Back up Battery
TSP-BCMU360	2 × 360 W, for any single or two identical 24 VDC or 48 VDC sources	24–28 or 48–56 VDC (range selection with jumper)	24 VDC / 15 A 48 VDC / 7.5 A	12V lead acid battery (to purchase on local market, or TRACO POWER battery pack)

* Maximum current at nominal Vout

ENGINEERED TO STAY COOL

*High Performance, ultra-compact
AC/DC power supplies with
minimal heat dissipation*

Features:

- Industrial, medical and household approvals
- Ultra-compact / high-density footprints
- High efficiencies with minimal heat dissipation
- -40 to +85°C extended operating temperatures
- Isolation (4kVAC) and leakage current (< 100 µA)
- 5 year product warranty

- ⊕ UL 60601-1 3rd edition / EMC 4th edition
- ⚙️ UL62368-1
- 🏠 EN60335-1 (up to 30 watts)
- 📄 ERP Ready

15 - 450 WATT AC/DC POWER SUPPLIES

FAMILY	WATTS	PACKAGE	FOOTPRINT
TPP 15A-D	15	Open-Frame PCB Mount	1.50 x 1.00 x 0.80"
TPP 15A-J	15	Open-Frame	2.61 x 1.00 x 0.64"
TPP 15-D	15	Encapsulated PCB Mount	1.65 x 1.14 x 0.82"
TPP15-J	15	Encapsulated Chassis-Mount	2.82 x 1.14 x 0.85"
TPP 30A-D	30	Open-Frame PCB Mount	2.74 x 1.36 x 0.95"
TPP 30A-J	30	Open-Frame	3.34 x 1.36 x 0.81"
TPP 30-D	30	Encapsulated PCB Mount	2.89 x 1.50 x 1.00"
TPP 30-J	30	Encapsulated Chassis-Mount	3.95 x 1.50 x 1.00"
TPP 40A-J	40	Open-Frame	3.00 x 2.00 x 0.94"
TPP 40	40	Enclosed	3.53 x 2.38 x 1.31"
TPP 40E-D	40	Encapsulated PCB Mount	3.20 x 2.01 x 1.20"
TPP 40E-J	40	Encapsulated Chassis Mount	4.30 x 2.20 x 1.20"
TPP 65A-J	65	Open-Frame	3.00 x 2.00 x 0.94"
TPP 65	65	Enclosed	3.53 x 2.38 x 1.31"
TPP 65E-D	65	Encapsulated PCB Mount	3.20 x 2.20 x 1.20"
TPP 65E-J	65	Encapsulated Chassis Mount	4.30 x 2.20 x 1.20"
TPP 100A-J	100	Open-Frame	3.00 x 2.00 x 1.16"
TPP 100	100	Enclosed	3.60 x 2.44 x 1.54"
TPP 150A-J	150	Open-Frame	4.00 x 2.00 x 1.16"
TPP 150	150	Enclosed + Top Fan	4.60 x 2.44 x 1.94"
TPP 180A-J	180	Open-Frame	3.00 x 2.00 x 1.16"
TPP 300A-J	300	Open-Frame	4.00 x 2.00 x 1.22"
TPP 450BA-M	450	Open-Frame	5.00 x 3.00 x 1.58"
TPP 450B-M	450	Enclosed + End-Mount Fan	5.83 x 3.15 x 1.60"



for specifications, quotation or evaluation request, please visit:
tracopower.com/ac-dc-power-supplies
 in stock for immediate purchase through our Distribution Partners:

TRACO POWER

TRACO POWER dedicated to design and production of high quality, state-of-the-art DC / DC & AC / DC power conversion products. Our mission is to provide optimal power supply solutions for specific applications with regard to performance, quality, cost and functionality.

TRACO POWER stocks an average of USD 25+ million in available finished goods inventory for immediate shipment through our distribution partners.

TRACO POWER offers extended product life-cycles, typically 10+ years, and our products are supported by a 3 or 5 year product warranty. We understand our customers require a high quality solution as well as a diverse product offering, availability from stock, extended life-cycles and a strong commitment to quality in the form of extended warranty to support their business.

Our other selection guides / catalogues



International Office

Traco Electronic AG
Sihlbruggstrasse 111
6340 Baar
Switzerland

P +41 43 311 45 11
F +41 43 311 45 45
info@tracopower.com

North America Office

Traco Power North America, Inc.
2025 Gateway Place #330
San Jose, CA 95110
USA

P +1 (408) 916-4570
F +1 (408) 916-4571
salesusa@tracopower.com

French Office

Traco Power France
17, rue de la Vanne
92120 Montrouge
France

M +33 (0)6 72 11 52 21
info@tracopower.fr

German Office

Traco Electronic GmbH
Oskar-Messter-Str. 20a
85737 Ismaning/München
Germany

P +49 89 96 11 82-0
F +49 89 96 11 82-20
info@tracopower.de

Design & Development

Traco Power Solutions Ltd.
Whitemill Industrial Estate
Whitemill Road, Wexford
Y35 YH66, Ireland

P +353 53 9167 700
F +353 53 9167 701
info@tracopower.ie