

- Highest power density in 5.0" x 3.0" footprint
- Supplies 200 W (convection cooling!)
- Highest efficiency up to 95%
- Operating temperature range -25°C to +70°C
- Universal input 85 – 264 VAC
- Compliance with EN 61000-3-2
- Power Back immunity
- Low leakage current
- Protection class I and class II
- 3-year product warranty



The new TOP 200C Series AC/DC Power Supplies feature the highest power rating in the industry standard 3.0" x 5.0" (76.2 x 127 mm) footprint. They can supply up to 200 W output power with convection cooling over an industrial operating temperature range of -25°C to +70°C. This performance could be realized by a state of the art design providing an extremely high efficiency of >90 % which eliminates the need for a dedicated power supply cooling fan.

Compliance with global safety and EMC standards qualify these power supplies for worldwide markets. Approved for Class I and Class II applications, these switchers are suitable for industrial and IT systems but also for consumer products. High reliability is provided by use of industrial quality grade components and an excellent thermal management. This product offers an interesting power supply solution for many space and cost critical applications in commercial and industrial electronic equipment.

Options

<p>on demand (backorder with MOQ non stocking item)</p>	<ul style="list-style-type: none"> - Optional model with 12 VDC / 16'000 mA - Optional model with 15 VDC / 13'000 mA - Optional model with 24 VDC / 8'300 mA - Optional model with 48 VDC / 4'200 mA
--	--

Input Specifications

Input Voltage		Operational Range: 85 - 264 VAC (Full Range) Rated Range: 100 - 240 VAC (Full Range)
Input Frequency		Operational Range: 47 - 63 Hz Certified: 50/60 Hz
Power Consumption	- No load & Vin = 230 VAC - No load & Vin = 115 VAC	4'000 mW max. 5'700 mW max.
Input Inrush Current	- At 230 VAC	40 A max.
Power Factor	- At 230 VAC	0.98 min. (Active Power Factor Correction)
Input Protection		T 4 A (Internal Fuse in L & N)
Recommended Input Fuse		6'000 mA (slow blow) (The need of an external fuse has to be assessed in the final application.)

Output Specifications

Voltage Set Accuracy		±3% max.
Regulation	- Input Variation (Vmin - Vmax) - Load Variation (0 - 100%)	1% max. 1% max.
Ripple and Noise (20 MHz Bandwidth)		12 VDC model: 120 mVp-p max. 15 VDC model: 120 mVp-p max. 24 VDC model: 120 mVp-p max. 48 VDC model: 150 mVp-p max.
Capacitive Load		12 VDC model: 15'000 µF max. 15 VDC model: 15'000 µF max. 24 VDC model: 4'000 µF max. 48 VDC model: 1'000 µF max.
Minimum Load		Not required
Temperature Coefficient		±0.02 %/K max.
Hold-up Time	- At 230 VAC - At 115 VAC	10 ms min. 10 ms min.
Start-up Time	- At 230 VAC - At 115 VAC	2'000 ms max. 3'000 ms max.
Short Circuit Protection		Automatic recovery 60% typ. of Iout nom.
Overload Protection		Foldback Mode
Output Current Limitation		120 - 150% of Iout max.
Overvoltage Protection		150% typ. of Vout nom. (depending on model) 20 V typ. (12 Vout model) 25 V typ. (15 Vout model) 35 V typ. (24 Vout model) 60 V typ. (48 Vout model)
Transient Response	- Peak Variation - Response Time	600 mV max. (10% to 90% Load Step) 20'000 µs max. (10% to 90% Load Step)

Safety Specifications

Standards	- IT / Multimedia Equipment	EN 60950-1 EN 62368-1 IEC 60950-1 IEC 62368-1 UL 60950-1
	- Certification Documents	www.tracopower.com/overview/top200c
Protection Class		Class I & II (Prepared): Reinforced Insulation
Pollution Degree		PD 2
Over Voltage Category		OVC II

All specifications valid at nominal voltage, resistive full load and +25°C after warm-up time, unless otherwise stated.

EMC Specifications

EMI Emissions	- Conducted Emissions - Radiated Emissions - Harmonic Current Emissions	EN 61000-6-3 (Generic Residential) EN 55032 class B (internal filter) EN 55032 class B (internal filter) EN 61000-3-2, class A
EMS Immunity	- RF Electromagnetic Field - EFT (Burst) / Surge - Conducted RF Disturbances - PF Magnetic Field - Voltage Dips & Interruptions	EN 61000-4-3, 20 V/m, perf. criteria A EN 61000-4-4, ±2 kV, perf. criteria B L to L: EN 61000-4-5, ±1 kV, perf. criteria B L to PE: EN 61000-4-5, ±2 kV, perf. criteria B EN 61000-4-6, 10 Vrms, perf. criteria A Continuous: EN 61000-4-8, 100 A/m, perf. criteria A 230 VAC / 50 Hz: EN 61000-4-11 20%, 250 periods, perf. criteria A 30%, 25 periods, perf. criteria A 60%, 10 periods, perf. criteria B >95%, 1 period, perf. criteria B 115 VAC / 60 Hz: EN 61000-4-11 20%, 250 periods, perf. criteria A 30%, 25 periods, perf. criteria B 60%, 10 periods, perf. criteria B >95%, 1 period, perf. criteria B

General Specifications

Relative Humidity		95% max. (non condensing)
Temperature Ranges	- Operating Temperature - Storage Temperature	-25°C to +70°C -40°C to +80°C
Power Derating	- High Temperature - Low Input Voltage	2 %/K above 40°C (12 & 15 Vout models) 2 %/K above 50°C (24 & 48 Vout models) 1 %/V below 115 VAC (12 & 15 Vout models) 1.5 %/V below 108 VAC (24 & 48 Vout models)
Cooling System		Natural convection (20 LFM)
Remote Control	- Voltage Controlled Remote - Current Controlled Remote	See application note: www.tracopower.com/overview/top200c See application note: www.tracopower.com/overview/top200c
Altitude During Operation		2'000 m max.
Regulator Topology		LLC Converter
Switching Frequency		100 kHz typ. (PWM)
Insulation System		Reinforced Insulation
Isolation Test Voltage	- Input to Output, 60 s - Input to Case or PE, 60 s - Output to Case or PE, 60 s	3'000 VAC 1'500 VAC 500 VAC
Creepage	- Input to Output - Input to Case or PE - Output to Case or PE	7 mm min. 4 mm min. 1 mm min.
Clearance	- Input to Output - Input to Case or PE - Output to Case or PE	5 mm min. 2.5 mm min. 0.5 mm min.
Isolation Resistance	- Input to Output, 500 VDC	100 MΩ min.
Isolation Capacitance	- Input to Output, 100 kHz, 1 V	1'500 pF typ.
Leakage Current	- Earth Leakage Current - Touch Current	500 μA max. 100 μA max.
Reliability	- Calculated MTBF	(see application note)
Environment	- Vibration - Mechanical Shock	IEC 60068-2-6 3 axis, sine sweep, 10-55 Hz, 0.075 mm IEC 60068-2-27 15 g, 3 axis, half sine, 11 ms

All specifications valid at nominal voltage, resistive full load and +25°C after warm-up time, unless otherwise stated.

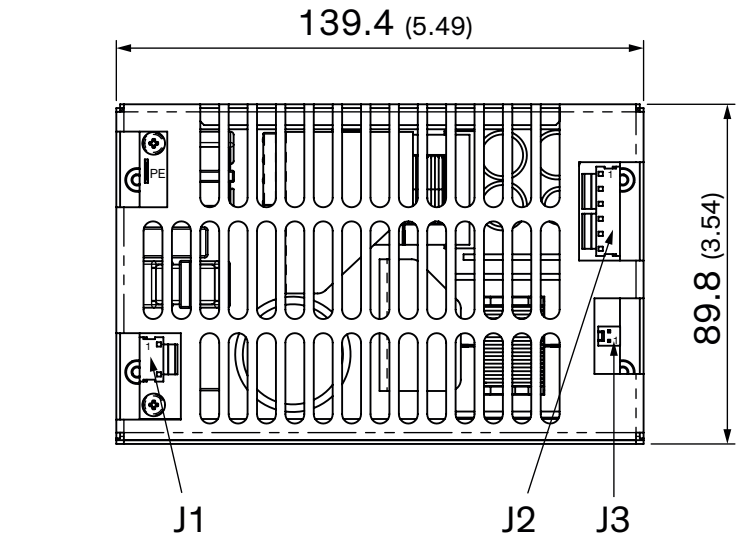
Housing Material	Aluminum
Housing Type	Metal Case
Mounting Type	Chassis Mount
Connection Type	Pin Connector
Weight	600 g
Power Back Immunity	12 VDC model: 16 V max. (18 V for 1 s) 15 VDC model: 20 V max. (23 V for 1 s) 24 VDC model: 35 V max. (40 V for 1 s) 48 VDC model: 63 V max. (68 V for 1 s)
Environmental Compliance	- REACH Declaration www.tracopower.com/info/reach-declaration.pdf REACH SVHC list compliant REACH Annex XVII compliant - RoHS Declaration www.tracopower.com/info/rohs-declaration.pdf Exemptions: 7a, 7c-I (RoHS exemptions refer to the component concentration only, not to the overall concentration in the product (O5A rule).) - SCIP Reference Number 192cf8a2-0a88-49a2-96d5-f396b839dcc5

Supporting Documents

Overview Link (for additional Documents) www.tracopower.com/overview/top200c

All specifications valid at nominal voltage, resistive full load and +25°C after warm-up time, unless otherwise stated.

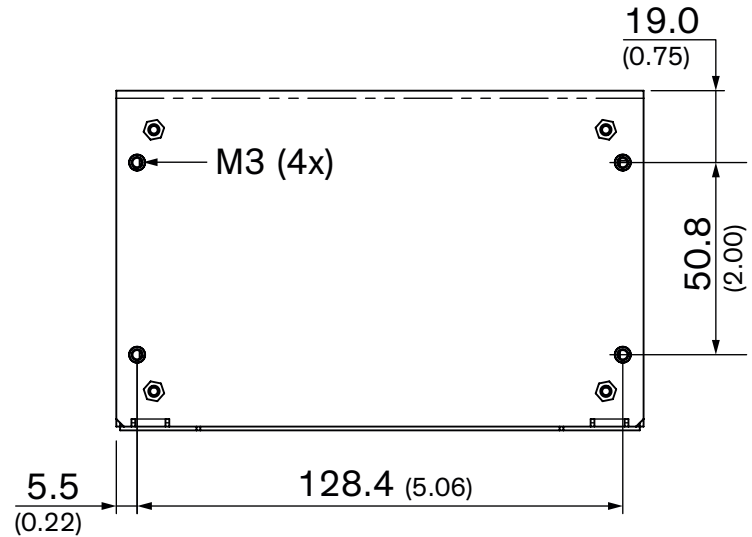
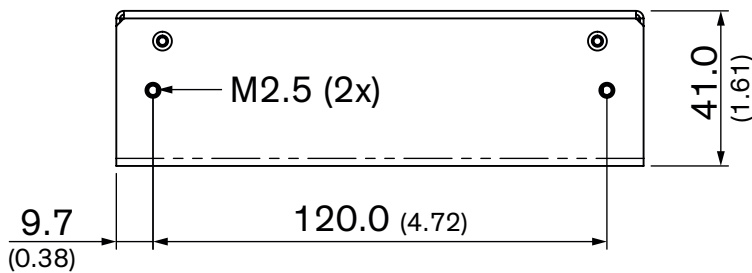
Outline Dimensions



Input	
J1	
Pin	Function
1	AC (L)
2	AC (N)

Output	
J2	
Pin	Function
1-3	+ Vout
4-6	- Vout

On / Off	
J3	
Pin	Function
1	-
2	+



Max. Screw Penetration: 4.0 (0.16)
 Mounting screw tightening torque: 0.9 - 1.1 Nm

Dimensions in mm (inch)
 Tolerances: ±0.008 (±0.2)